

Technical Reference



**P7360A and P7340A
6 GHz and 4 GHz
Z-Active™ Differential Probes**

071-1868-01

Copyright © Tektronix. All rights reserved. Licensed software products are owned by Tektronix or its subsidiaries or suppliers, and are protected by national copyright laws and international treaty provisions.

Tektronix products are covered by U.S. and foreign patents, issued and pending. Information in this publication supercedes that in all previously published material. Specifications and price change privileges reserved.

TEKTRONIX, TEK, TekConnect, and Z-Active are registered trademarks of Tektronix, Inc.

Velcro is a registered trademark of Velcro Industries B.V.

Tip-Clip is a trademark of Tektronix, Inc.

Contacting Tektronix

Tektronix, Inc.
14200 SW Karl Braun Drive
P.O. Box 500
Beaverton, OR 97077
USA

For product information, sales, service, and technical support:

- In North America, call 1-800-833-9200.
- Worldwide, visit www.tektronix.com to find contacts in your area.

Table of Contents

General Safety Summary	v
Introduction	1
Theory of Operation	3
Input Voltage Limits	3
Maximum Input Voltage	3
Operating Voltage Window	4
Differential-Mode Signal Range	4
Common-Mode Rejection	4
Probing Techniques to Maximize Signal Fidelity	5
Input Impedance and Probe Loading	6
Electrical Effects of Accessories	8
Reference	9
Single-Ended Measurements	9
Differential Measurements	10
Common-Mode Rejection Ratio	10
Assessing CMRR Error	11
Input Impedance Effects on CMRR	11
Serial Bus Standards	12
Specifications	13
Warranted Characteristics	13
Typical Characteristics	14
Nominal Characteristics	17
Tip-Clip Assembly Specifications	20
Performance Verification	29
Equipment Required	29
Special Adapters Required	31
Equipment Setup	33
Output Offset Voltage	34
DC Gain Accuracy	35
Gain Check at 5X Attenuation	35
Gain Check at 25X Attenuation	36
Rise Time	37
Rise Time Measurement using the Probe Calibration Fixture	38
Rise Time Check at 25X Attenuation	39
Test Record	43
User Service	45
Probe/Adapter/Oscilloscope Compatibility	45
Error Condition	45
Replacement Parts	45
Preparation for Shipment	46

List of Figures

Figure 1: Dynamic range	4
Figure 2: Use the Short Flex, Small Resistor Tip-Clip assembly ...	5
Figure 3: Typical probe input model	6
Figure 4: Symmetric coupled line	7
Figure 5: Transmission line equivalent	7
Figure 6: Lumped element equivalent	7
Figure 7: Simplified model of a differential amplifier	10
Figure 8: Typical Common-Mode Rejection Ratio (5X attenuation)	15
Figure 9: Typical differential input impedance versus frequency ..	15
Figure 10: Probe and Tip-Clip dimensions	16
Figure 11: Z-Active probe dynamic range verses frequency 5X gain setting	17
Figure 12: Z-Active probe dynamic range verses frequency 25X gain setting	18
Figure 13: P7380A, P7360A, and P7340A dynamic range 5X gain setting	18
Figure 14: P7380A, P7360A, and P7340A dynamic range 25X gain setting	19
Figure 15: TekConnect-to-SMA Adapter	31
Figure 16: Probe Calibration Fixture	31
Figure 17: Adapter Fixture	32
Figure 18: Preliminary test setup	33
Figure 19: Setup for the output offset zero test	34
Figure 20: DC Gain Accuracy setup	35
Figure 21: Reverse the power supply polarity on the probe inputs .	36
Figure 22: Handheld Adapter and calibration fixture	38
Figure 23: PPM203B Articulated Arm with the Handheld Adapter	38
Figure 24: Test system rise time setup	39
Figure 25: Setting the TDR parameters	40
Figure 26: Test probe rise time setup	41

List of Tables

Table 1: Offset ranges	9
Table 3: Warranted electrical characteristics	13
Table 4: Typical electrical characteristics	14
Table 5: Typical mechanical characteristics	16
Table 6: Nominal electrical characteristics	17
Table 7: Test equipment	29
Table 8: Differential probe compatibility issues	45

General Safety Summary

Review the following safety precautions to avoid injury and prevent damage to this product or any products connected to it. To avoid potential hazards, use this product only as specified.

Only qualified personnel should perform service procedures.

While using this product, you may need to access other parts of the system. Read the *General Safety Summary* in other system manuals for warnings and cautions related to operating the system.

To Avoid Fire or Personal Injury

Connect and Disconnect Properly. Connect the probe output to the measurement instrument before connecting the probe to the circuit under test. Disconnect the probe input from the circuit under test before disconnecting the probe from the measurement instrument.

Observe All Terminal Ratings. To avoid fire or shock hazard, observe all ratings and markings on the product. Consult the product manual for further ratings information before making connections to the product.

Do not apply a potential to any terminal, including the common terminal, that exceeds the maximum rating of that terminal.

Do Not Operate Without Covers. Do not operate this product with covers or panels removed.

Avoid Exposed Circuitry. Do not touch exposed connections and components when power is present.

Do Not Operate With Suspected Failures. If you suspect there is damage to this product, have it inspected by qualified service personnel.

Do Not Operate in Wet/Damp Conditions.

Do Not Operate in an Explosive Atmosphere.

Keep Product Surfaces Clean and Dry.

Symbols and Terms

Terms in this Manual. These terms may appear in this manual:



WARNING. *Warning statements identify conditions or practices that could result in injury or loss of life.*



CAUTION. *Caution statements identify conditions or practices that could result in damage to this product or other property.*

Symbol on the Product. The following symbol may appear on the product:



Introduction

This manual discusses topics not covered or otherwise mentioned briefly in the *P7313 12.5 GHz, P7380A 8 GHz, P7360A 6 GHz, and P7340A 4 GHz Z-Active Differential Probe Family User Manual*.

The following is a list of brief explanations:

- Theory of Operation — Contains probe details not mentioned in the user manual.
- Reference — Contains information about differential measurements and how to increase measurement accuracy.
- Specifications — Contains warranted, typical, and nominal characteristics for the probe and probe Tip-Clip Assemblies.
- Performance Verification — Describes the procedures for verifying the warranted specifications.
- User Service — Describes troubleshooting and probe maintenance.

Theory of Operation

This section discusses operating considerations and probing techniques. For more detailed information about differential measurements and common-mode rejection ratio (CMRR), see the *Reference* section on page 9.

These probes are optimized for high bandwidth; they are not general purpose probes. The probe head and tips are miniaturized for electrical characteristics and access to dense circuitry, and must be handled carefully.



CAUTION. To prevent damage to the probes, use care when handling the probes. Rough or careless use can damage the probes.

Input Voltage Limits

These probes are designed to probe low-voltage circuits. Before probing a voltage, take into account the limits for maximum input voltage, the common-mode signal range, and the differential-mode signal range. For specific limits, refer to page 14.

Maximum Input Voltage

The maximum input voltage is the maximum voltage to ground that the inputs can withstand without damaging the probe input circuitry.



CAUTION. To avoid damaging the inputs of the P7360A and P7340A Differential Probes, do not apply more than ± 15 V (DC + peak AC) between each input or between either probe input and ground.

Operating Voltage Window

The operating voltage window defines the maximum voltage that you can apply to each input, with respect to earth ground, without saturating the probe input circuitry. See Figure 1. A common-mode voltage that exceeds the operating voltage window may produce an erroneous output waveform even when the differential-mode specification is met. For specifications, refer to page 14.

Differential-Mode Signal Range

The differential-mode signal range is the maximum voltage difference between the plus and minus inputs that the probe can accept without distorting the signal. The distortion from a voltage that is too large can result in a clipped or otherwise inaccurate measurement. For specifications, refer to page 14.

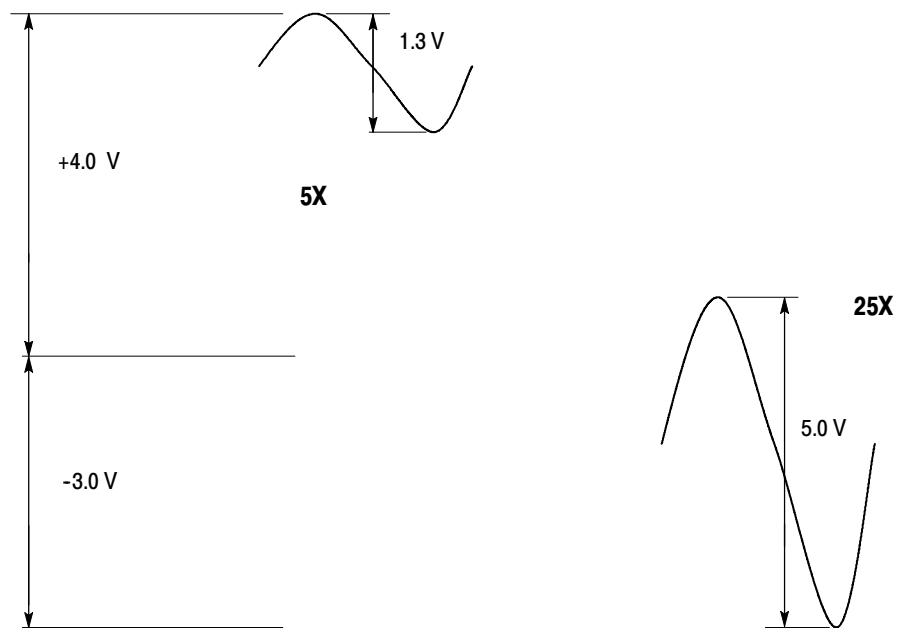


Figure 1: Dynamic range

Common-Mode Rejection

The common-mode rejection ratio (CMRR) is the ability of a probe to reject signals that are common to both inputs. More precisely, CMRR is the ratio of the differential gain to the common-mode gain. The higher the ratio, the greater the ability to reject common-mode signals. CMRR varies with frequency, usually decreasing at higher frequencies. For additional information about CMRR, see page 15.

Probing Techniques to Maximize Signal Fidelity

Signal fidelity is an indication of how accurately a probe represents the signal being measured. The signal fidelity of the probe is best when the probe is applied directly to the circuit with the Short Flex, Small Resistor, Tip-Clip assembly shown in Figure 2. This Tip-Clip assembly achieves high signal fidelity by minimizing the distance between the probe head and the signal source. This reduces probe interconnect parasitics which tend to degrade signal fidelity. However, some probing tasks are made easier using other accessories included with the probe.

The Tip-Clip specifications starting on page 20 show pulse response illustrations that give some indication of signal fidelity with different Tip-Clip assemblies.

Signal fidelity is affected by both the probe interconnect and the speed of the signal. It is recommended that the longer the Tip-Clip assembly be used with somewhat slower speed signals for better signal fidelity.

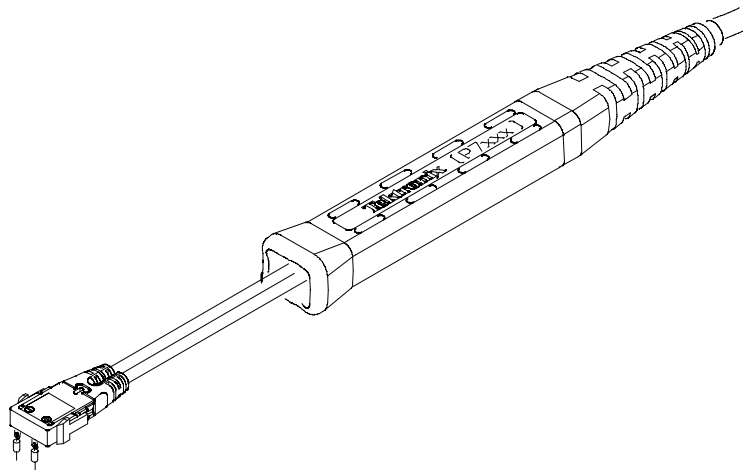
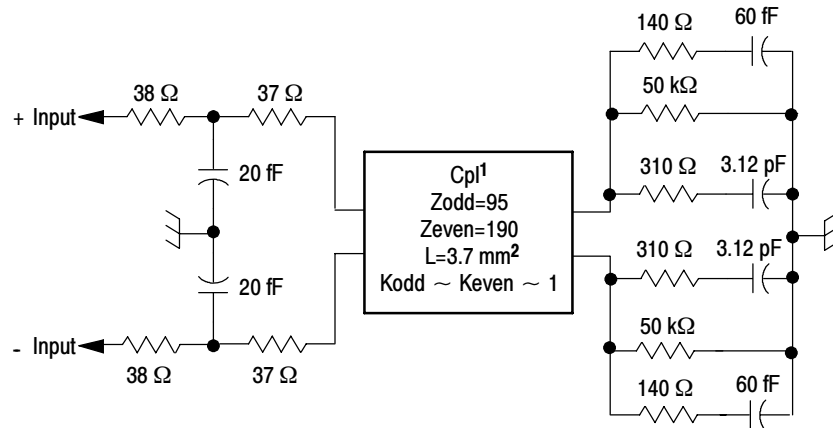


Figure 2: Use the Short Flex, Small Resistor Tip-Clip assembly

Input Impedance and Probe Loading

When you connect the probe inputs to a circuit, you are introducing a new resistance, capacitance, and inductance into the circuit. Each input of the differential probe has a characteristic input impedance of $50\text{ k}\Omega$ to ground.



¹ See the following figures for an explanation of cpl.

² Short Tip-Clip (blue) length

Figure 3: Typical probe input model

For signals with low source impedance and frequency, the $50\text{ k}\Omega$ input impedance on each input is large enough to prevent the inputs from loading the signal sources. As the signal source impedance on an input increases, the more the probe loads the source and reduces the signal amplitude. The greater the source impedances and the higher the signal frequencies, the more you must take these factors into account. See Figure 3.

The frequency of the signal also affects signal measurement. As the frequency of the signal increases, the input impedance of the probe decreases. The lower the impedance of the probe relative to that of the source, the more the probe loads the circuit under test and reduces the signal amplitude. For a graph of input impedance versus frequency, refer to Figure 9 on page 15.

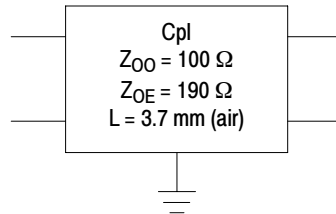


Figure 4: Symmetric coupled line

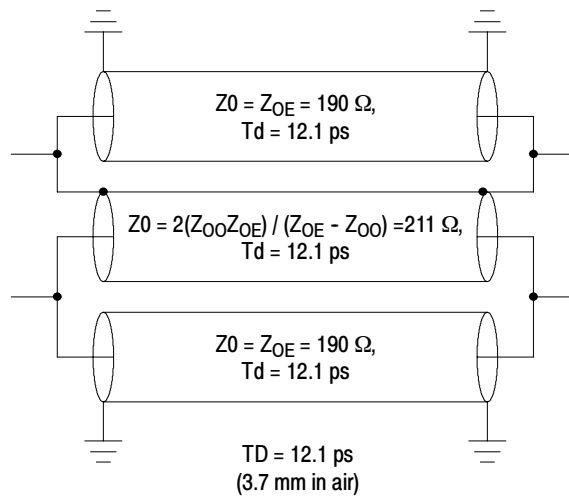


Figure 5: Transmission line equivalent

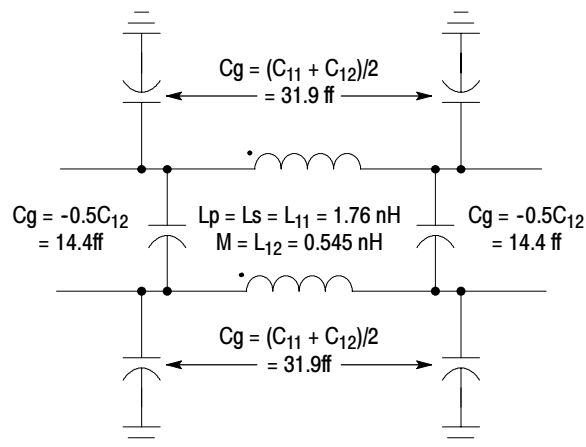


Figure 6: Lumped element equivalent

Electrical Effects of Accessories

The Tip-Clip accessories included with your probe help connect to different types of components. The Tip-Clip accessories are designed to provide optimum performance as a system. Each Tip-Clip accessory has distinct characteristics. While these accessories make connections easier, be aware that the Tip-Clip accessory you choose affects the signal you are measuring, depending on a variety of factors, including signal frequency, source impedance, and lead length. Refer to *Specifications* on page 13 for more Tip-Clip information.

Reference

This section contains important reference information about differential measurements and how to increase measurement accuracy.

Single-Ended Measurements

A differential probe, for example the P7360A and P7340A Differential Probes, can be used for single-ended measurements within the limits of its dynamic and offset voltage ranges. Single-ended probes such as the P7240 typically have a wider offset range than corresponding differential probes (see Table 1).

Table 1: Offset ranges

Probe examples	DC Offset, 5X	Dynamic Range, 5X	DC Offset, 25X	Dynamic Range, 25X
P7240	+/- 5 V	4 V _{PP}	---	---
P7360A and P7340A Differential Probes	+4 V, -3 V	2 V _{PP}	+4 V, -3 V	5 V _{PP}

Differential probes are ideal for a class of single-ended measurements where the reference voltage is not ground:

- SSTL_{1,2}: $V_{TT}, V_{REF} = V_{DD}/2$
- PECL: $V_{REF} = V_{CC}-1.3$

To measure single-ended signals in this class, connect the negative input of the differential probe to V_{REF} .

A differential probe in these applications displays the true signal despite any AC or DC variation in V_{REF} from its nominal value. While a single-ended probe displays the signal plus the variation in V_{REF} .

Differential probes can also be used to make ground referenced single-ended measurements on either single-ended signals or differential signals like PCI Express or Serial ATA. To measure ground referenced single-ended signals, connect the negative input of the differential probe to ground.

Single-ended measurement on differential signals are used to measure common mode voltage and check for differential signal symmetry.

Differential Measurements

A differential probe is optimized to make measurements of high speed differential signals. Differential signals are formed from two complementary signals with a common reference voltage. See Figure 7.

Devices designed for differential measurements avoid problems presented by single-ended systems. These devices include a variety of differential probes, differential amplifiers, and isolators.

A differential probe is a differential amplifier (Figure 7), which is used to make differential measurements that reject any voltage that is common to the inputs and amplifies any difference between the inputs. Voltage that is common to both inputs is often referred to as the Common-Mode Voltage (V_{CM}) and voltage that is different as the Differential-Mode Voltage (V_{DM}).

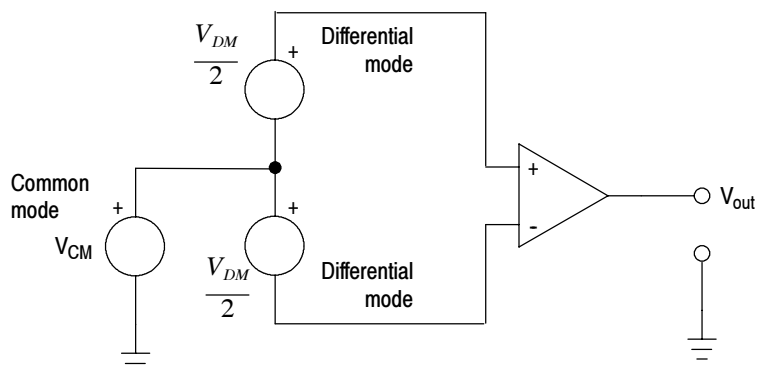


Figure 7: Simplified model of a differential amplifier

Common-Mode Rejection Ratio

Differential amplifiers cannot reject all of the common-mode signal. The ability of a differential amplifier to reject the common-mode signal is expressed as the Common-Mode Rejection Ratio (CMRR). The CMRR is the differential-mode gain (A_{DM}) divided by the common-mode gain (A_{CM}). It is expressed either as a ratio or in dB.

$$CMRR = \frac{A_{DM}}{A_{CM}} \quad dB = 20 \log \frac{A_{DM}}{A_{CM}}$$

CMRR generally is highest (best) at DC and degrades with increasing frequency.

Assessing CMRR Error

Figure 8 on page 15 shows the CMRR of a Z-Active differential probe. This derating graph assumes a sinusoidal common-mode signal.

A quick way to assess the magnitude of CMRR error when the common-mode signal is not sinusoidal is to connect both leads to the same point in the circuit. The oscilloscope displays only the common-mode component that is not fully rejected by the probe. While this technique may not give you accurate measurements, it does allow you to determine if the magnitude of the common-mode error signal is significant. Make the probe Tip-Clip wires the same length to maximize the probe CMRR.

**Input Impedance Effects
on CMRR**

The lower the input impedance of the probe relative to the source impedance, the lower the CMRR for a given source impedance imbalance. Differences in the source impedance driving the two inputs lowers the CMRR. Note that single-ended measurements generally result in asymmetric source impedances which tend to reduce the differential mode CMRR.

Specifications

The specifications in Tables 2 through 5 apply to the P7360A and P7340A Differential Probes installed on any TekConnect instrument or Tektronix 80A03 TekConnect adapter. When the probe is used with another oscilloscope, the oscilloscope must have an input impedance of 50 Ω . The probe must have a warm-up period of at least 20 minutes and be in an environment that does not exceed the limits described in Table 2. Specifications for these probes fall into three categories: warranted, typical, and nominal characteristics.

Warranted Characteristics

Warranted characteristics (Table 2) describe guaranteed performance within tolerance limits or certain type-tested requirements. Warranted characteristics that have checks in Table 2 are marked with the ✓ symbol.

Table 2: Warranted electrical characteristics

Characteristic	Description
✓ DC attenuation accuracy	$\pm 2\%$
✓ Output Zero	± 3 mV (+20 to +30 °C, +68 to +86 °F) (5X) ± 15 mV on oscilloscope ± 3 mV (+20 to +30 °C, +68 to +86 °F) (25X) ± 75 mV on oscilloscope
✓ Rise time	<70 ps (probe only, Short Flex, Small Resistor Tip-Clip), all other Tip-Clip assemblies are typical (P7360A) <100 ps (probe only, Short Flex, Small Resistor Tip-Clip), all other Tip-Clip assemblies are typical P7340A)
Temperature	Operating: 0 to +40 °C (+32 to +104 °F), Nonoperating: -55 to +75 °C (-131 to +167 °F) ¹
Humidity	Operating: 0-90% RH, tested at +0 to +40 °C (+32 to +104 °F) Nonoperating: 0-90% RH, tested at -55 to +75 °C (+67 to +167 °F)

¹ See warning that follows.



WARNING. To avoid a burn hazard at high ambient temperatures, do not touch the probe with bare hands at nonoperating temperatures above +75 °C (+167 °F). Allow sufficient time for the probe to cool before handling.

Typical Characteristics

Typical characteristics (Tables 3 and 4) describe typical but not guaranteed performance.

Table 3: Typical electrical characteristics

Characteristic	Description
Differential input resistance, DC coupled	104 k Ω \pm 2%
Common-mode input resistance, DC coupled	52 k Ω \pm 1 k Ω
Differential offset range	-3.0 V to +4 V
Noise	< 31 nV/ $\sqrt{\text{Hz}}$ 5X
	< 75 nV/ $\sqrt{\text{Hz}}$ 25X
Input impedance	See Figure 9 and <i>Tip-Clip assemblies</i> starting on page 20 for more detail information.
Bandwidth	See <i>Tip-Clip assemblies</i> starting on page 20 for more detail information. (+ 2.0dB, -3 dB) for an ambient temperature range of 20 °C to 30 °C
Small signal rise time	See <i>Tip-Clip assemblies</i> starting on page 20 for more detail information. Ambient temperature range of 20 °C to 30 °C
Common-mode rejection ratio	See Figure 8 \leq 50 dB: DC — 1 MHz \leq 35 dB: >1 MHz — 1 GHz \leq 20 dB: >1 GHz — 6 GHz
Maximum non destructive input voltage	\pm 15 V _(DC + peak AC) between each input or between either probe inputs and ground.
Dynamic Range	\pm 1 V at attenuation setting of 5X \pm 2.5 V at attenuation setting of 25X
Operating Voltage Window	-3.0 V to +5.0 V at (5X or 25X)
Linearity	\pm 1 V at 2% at attenuation setting of 5X \pm 0.75 V at 1% at attenuation setting of 5X \pm 0.5 V at 0.5% at attenuation setting of 5X \pm 3 V at 2% at attenuation setting of 25X \pm 2.5 V at 1% at attenuation setting of 25X \pm 1.5 V at 0.5% at attenuation setting of 25X
DC offset drift	50 $\mu\text{V}/^\circ\text{C}$ (at the output of the probe) 0.25 mV/ $^\circ\text{C}$ (displayed on screen with the TekConnect interface) 5X 1.25 mV/ $^\circ\text{C}$ (displayed on screen with the TekConnect interface) 25X
DC voltage measurement accuracy	\pm (2% of input + (2% of offset) + 15 mV + 5 mV) 5X \pm (2% of input + (2% of offset) + 75 mV + 25 mV) 25X

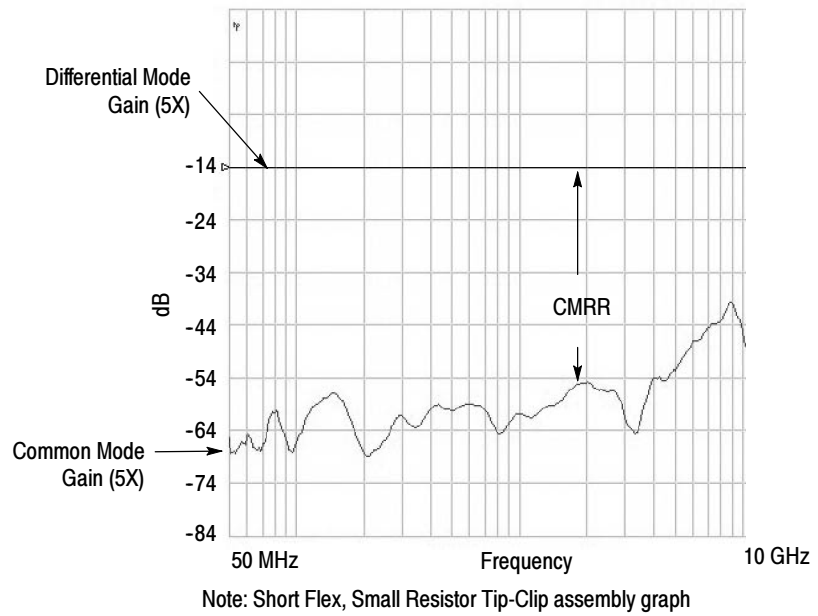


Figure 8: Typical Common-Mode Rejection Ratio (5X attenuation)

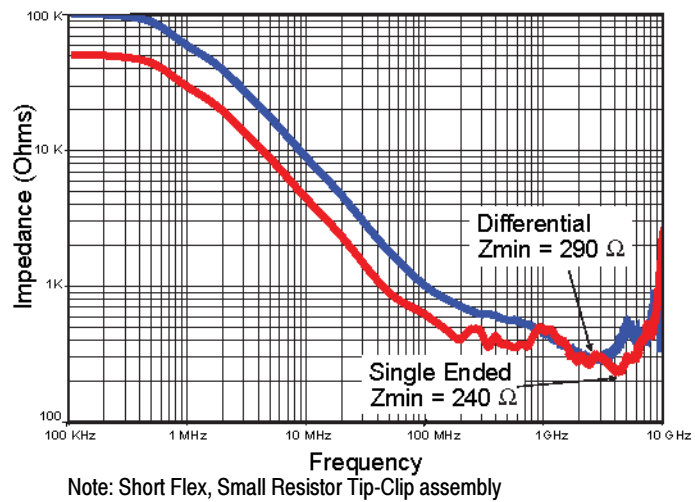


Figure 9: Typical differential input impedance versus frequency

Table 4: Typical mechanical characteristics

Characteristic	Description
Dimensions, compensation box	107 mm × 41 mm × 26 mm (4.2 in × 1.6 in × 1.0 in)
Dimensions, probe head	19.43 mm × 3.30 mm × 7.6 mm (0.765 in × 0.130 in × 0.300 in)
Dimensions, cable length	1.5 m (60 in) (from the probe head to the compensation box)
Unit weight	1.406 kg (3.1 lbs) (probe, accessories and packaging)

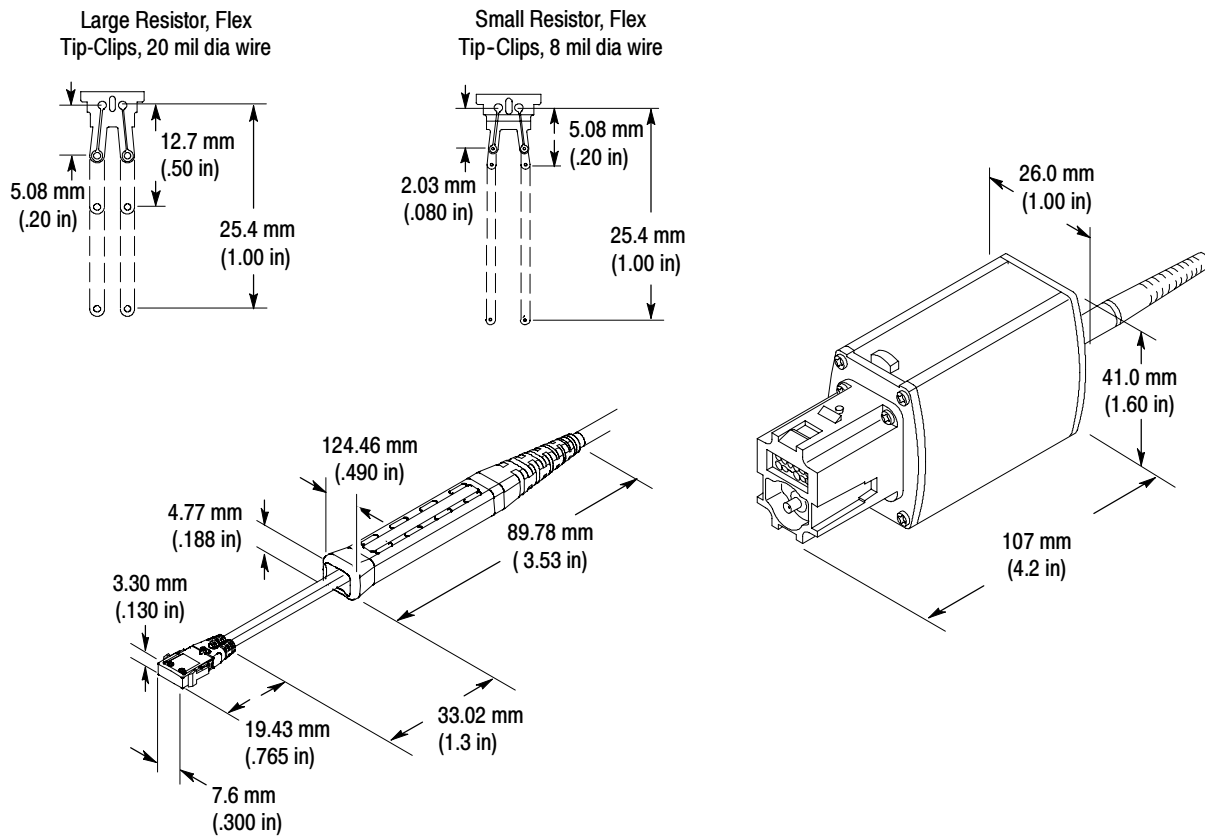


Figure 10: Probe and Tip-Clip dimensions

Nominal Characteristics

Nominal characteristics (Table 5) describe guaranteed traits, but the traits do not have tolerance limits.

Table 5: Nominal electrical characteristics

Characteristic	Description
Input configuration	Differential (two inputs, + and -)
Output coupling	DC
Attenuation settings	5X and 25X
Termination	Terminate output into 50 Ω

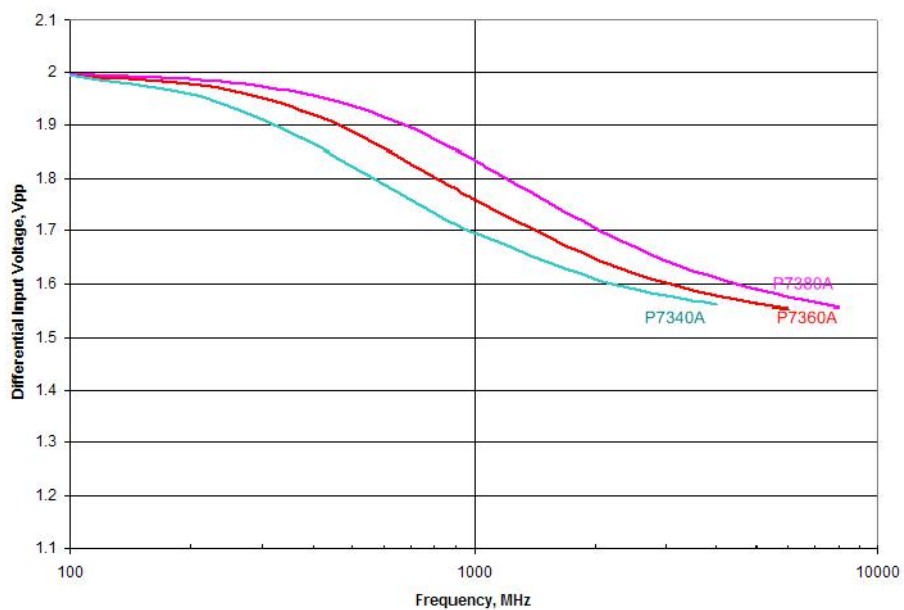


Figure 11: Z-Active probe dynamic range versus frequency 5X gain setting

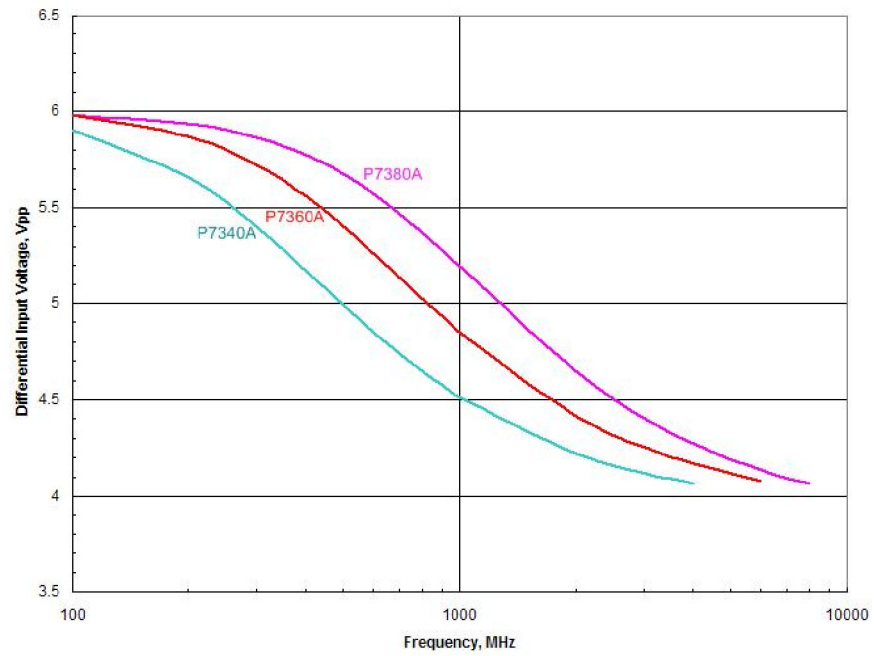


Figure 12: Z-Active probe dynamic range versus frequency 25X gain setting

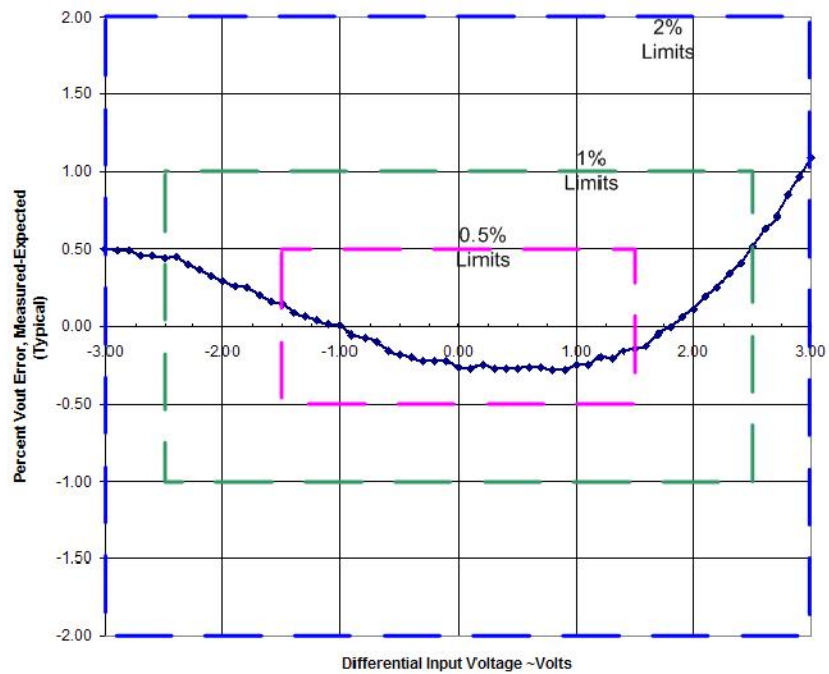


Figure 13: P7380A, P7360A, and P7340A dynamic range 5X gain setting

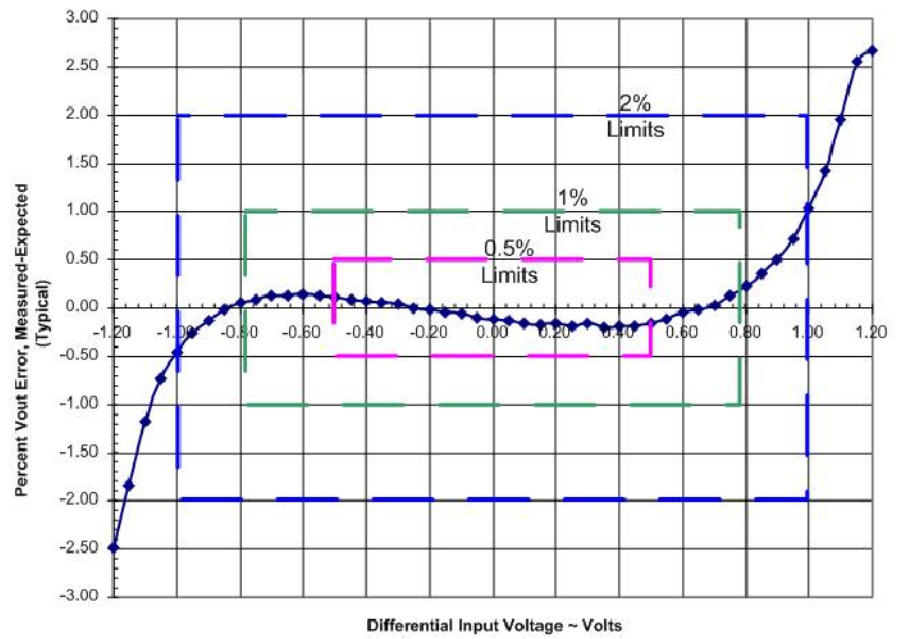


Figure 14: P7380A, P7360A, and P7340A dynamic range 25X gain setting

Tip-Clip Assembly Specifications

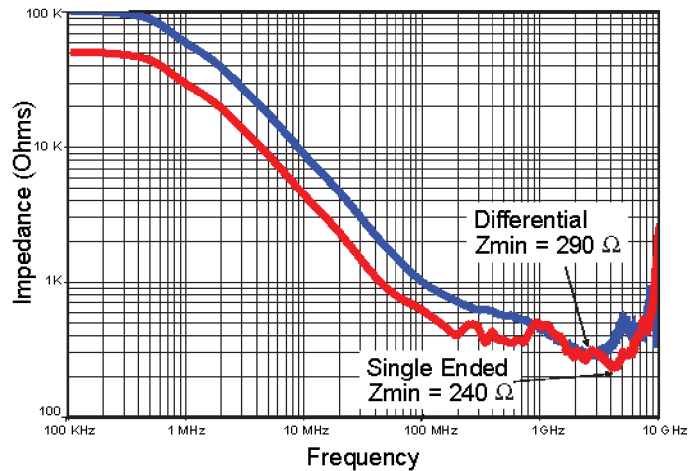
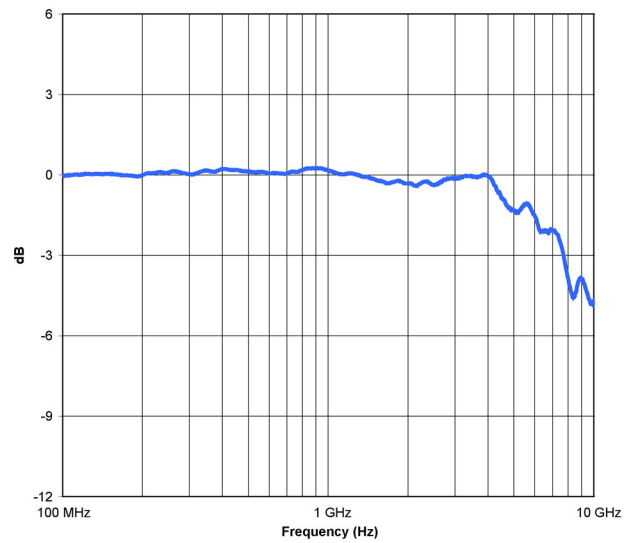
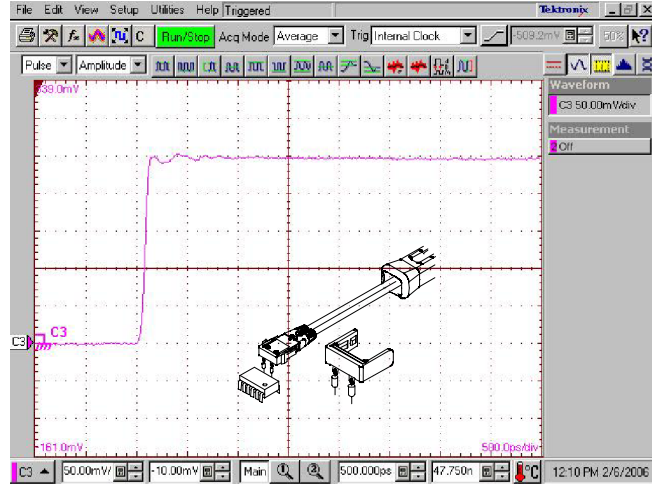
Note. All specifications are typical in the following Tip-Clip assemblies, unless otherwise indicated.

Short Flex, Small Resistor, Tip-Clip Assembly
 Tektronix part number: 020-2600-XX

Bandwidth: >6.0 GHz
 10/90 Rise time: <70 ps*
 20/80 Rise time: <50 ps
 *Guaranteed

Loading: Z_{MIN} 290 Ω to 6 GHz

Best overall signal fidelity. The small resistors are ideal for connecting to small circuit board vias and fine pitch circuitry.



Short Flex, Large Resistor, 1/8 W Tip-Clip Assembly

Tektronix part number: 020-2601-XX

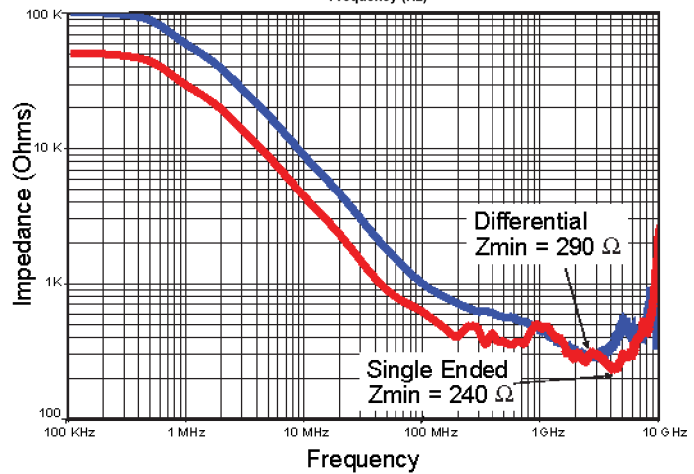
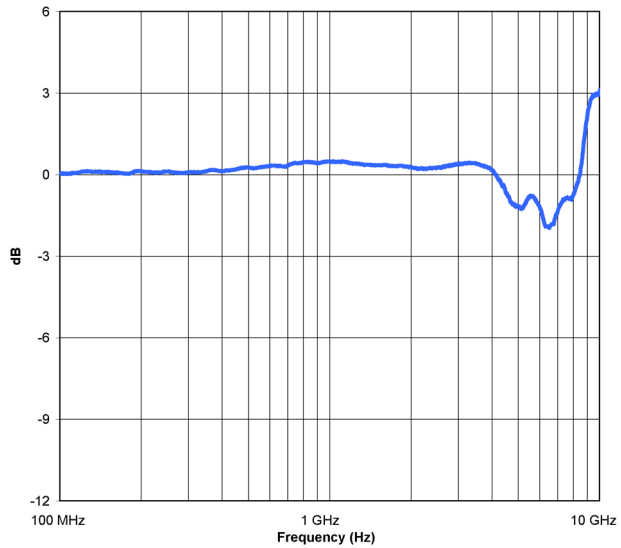
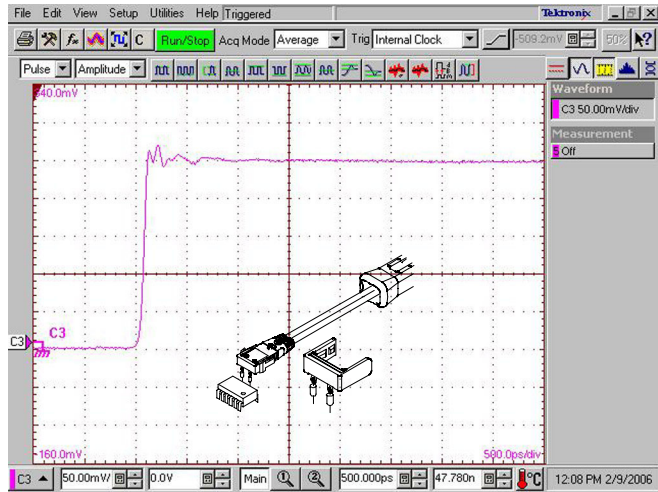
Bandwidth: >6.0 GHz

10/90 Rise time: <70 ps

20/80 Rise time: <50 ps

Loading: Z_{MIN} 290 Ω to 6 GHz

High bandwidth and good signal fidelity, idea for connecting to large features.



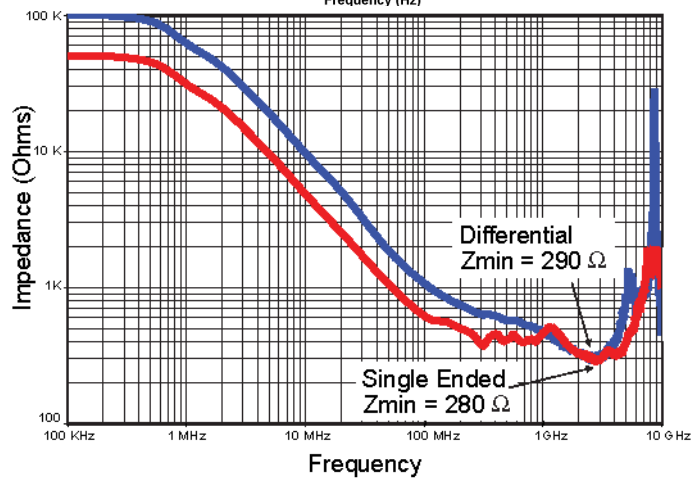
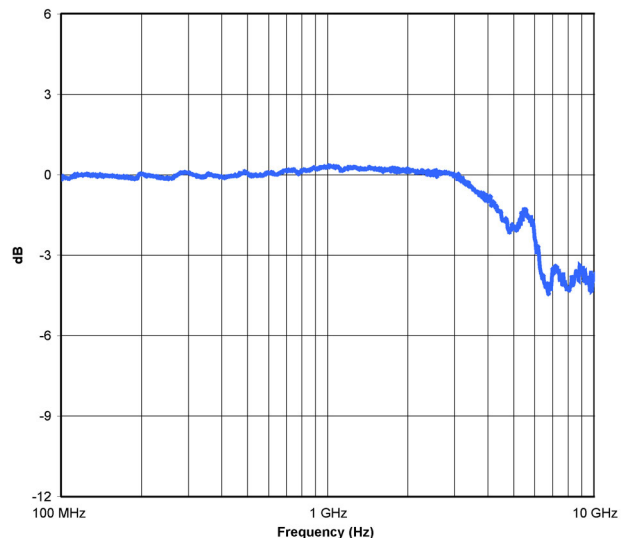
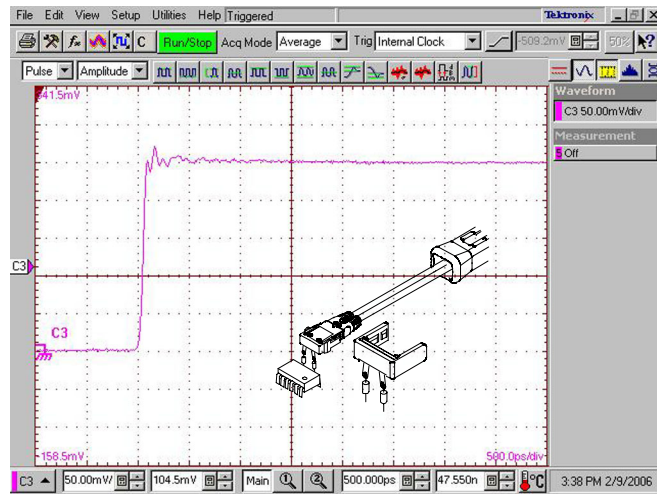
**Medium Flex, Small Resistor,
Tip-Clip Assembly**

Tektronix part number: 020-2602-XX

Bandwidth: >5.0 GHz
 10/90 Rise time: <70 ps*
 20/80 Rise time: <50 ps
 *Guaranteed

Loading: Z_{MIN} 290 Ω to 6 GHz

Good compromise between ease-of-use and maximum performance when attaching to smaller devices or circuit board vias.



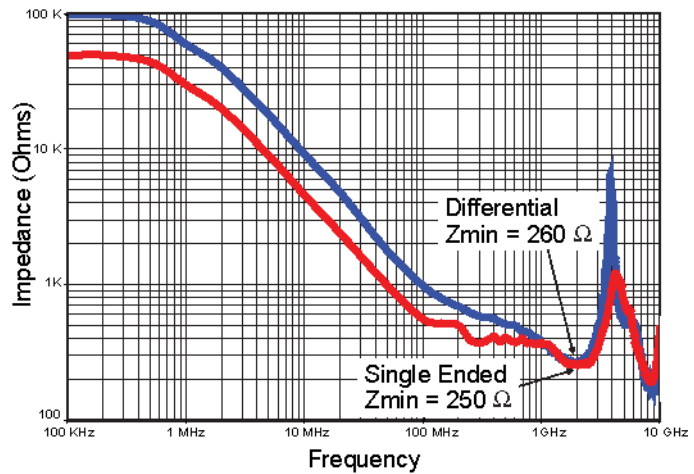
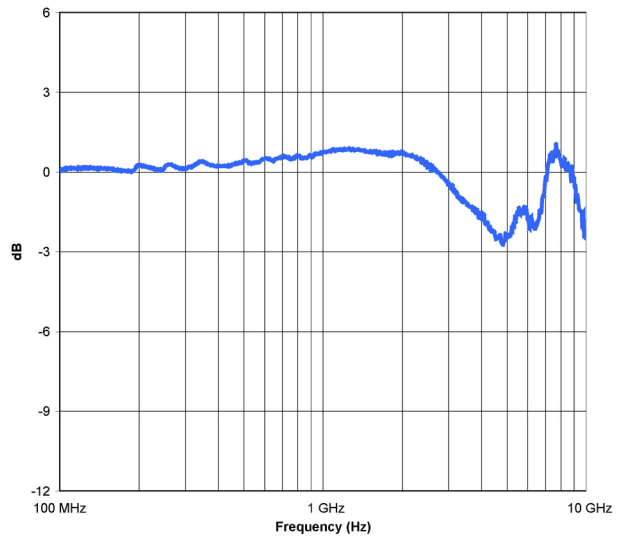
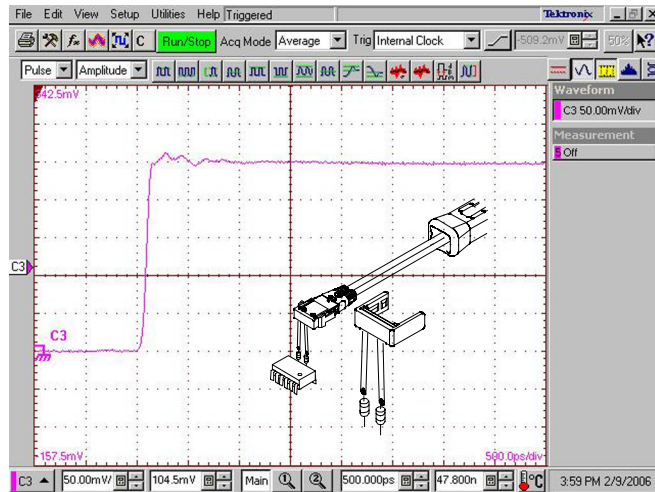
Medium Flex, Large Resistor, 1/8 W, Tip-Clip Assembly

Tektronix part number: 020-2603-XX

Bandwidth: >5.0 GHz
 10/90 Rise time: <70 ps
 20/80 Rise time: <50 ps

Loading: Z_{MIN} 260 Ω to 6 GHz

Good compromise between ease-of-use and maximum performance when attaching to larger devices.



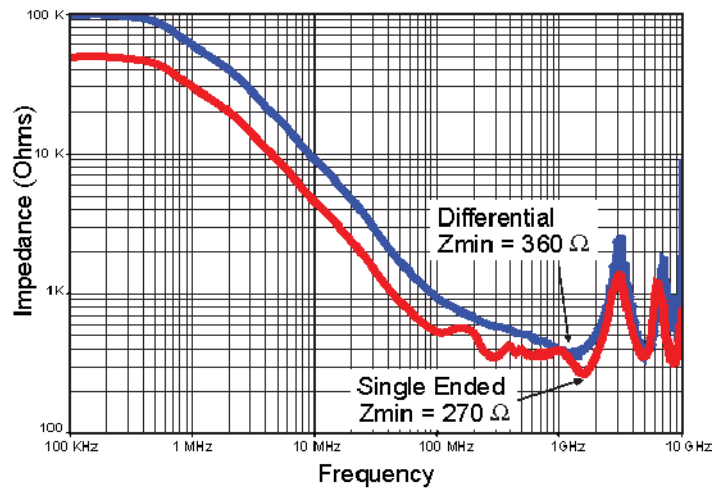
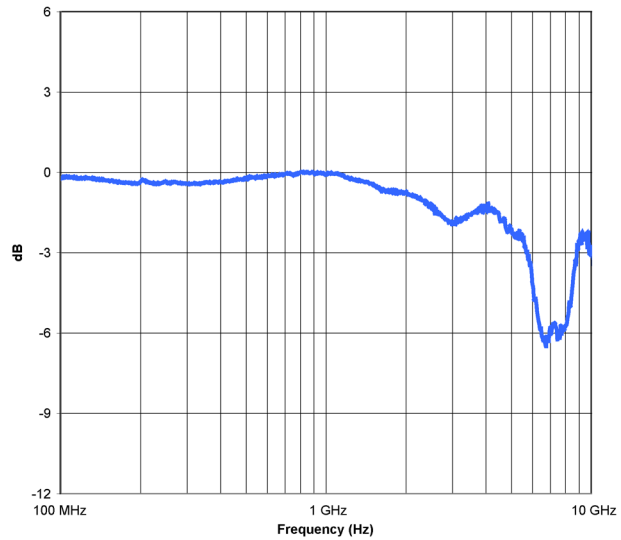
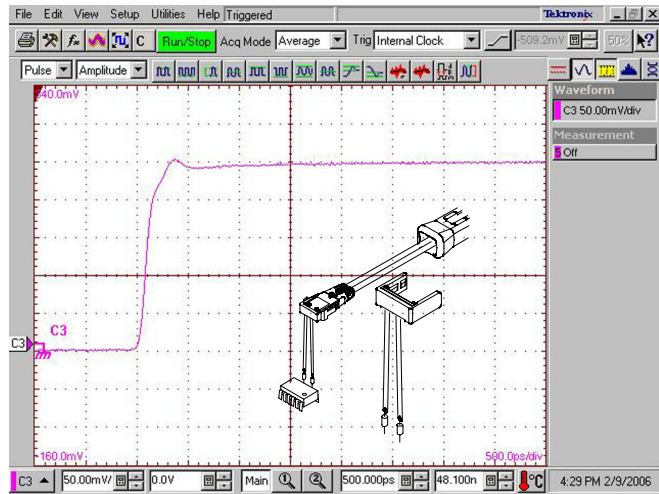
**Long Flex, Small Resistor,
Tip-Clip Assembly**

Tektronix part number: 020-2604-XX

Bandwidth: >4.0 GHz
 10/90 Rise time: <130 ps
 20/80 Rise time: <60 ps

Loading: Z_{MIN} 360 Ω to 6 GHz

Extended reach with good Step Response. Useful for connecting to hard to reach small vias and fine-pitch circuitry. Conveniently sized to fit between DIMM modules. Not recommended for signals faster than 4 GHz.



Long Flex, Large Resistor, 1/8 W, Tip-Clip Assembly

Tektronix part number: 020-2605-XX

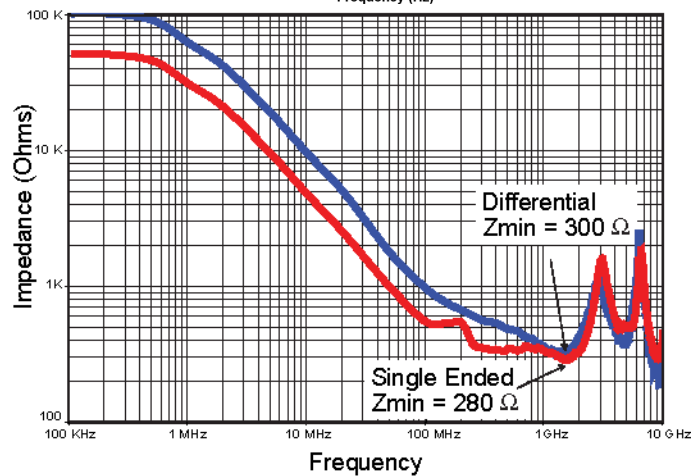
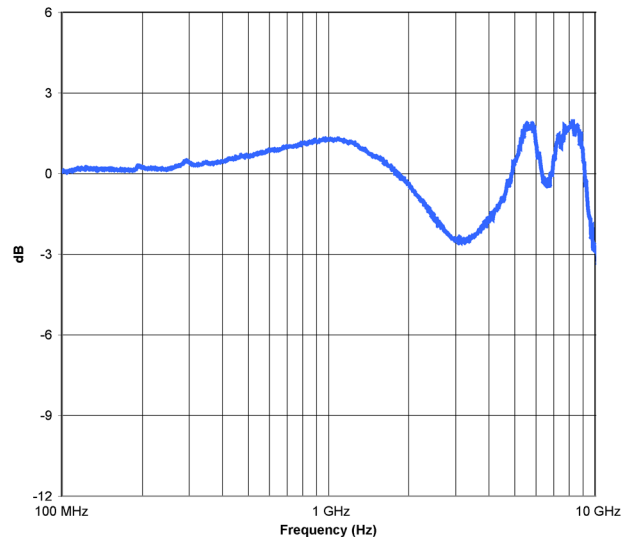
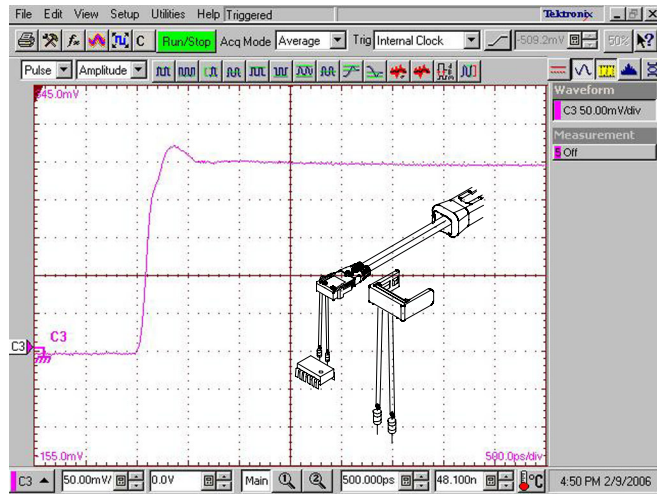
Bandwidth: >5.0 GHz

10/90 Rise time: <90 ps

20/80 Rise time: <60 ps

Loading: Z_{MIN} 300 Ω to 6 GHz

Extended reach with good step response. Useful for connecting to hard-to-reach circuitry with large features. Conveniently sized to fit between DIMM modules. Not recommended for signals faster than 4GHz.

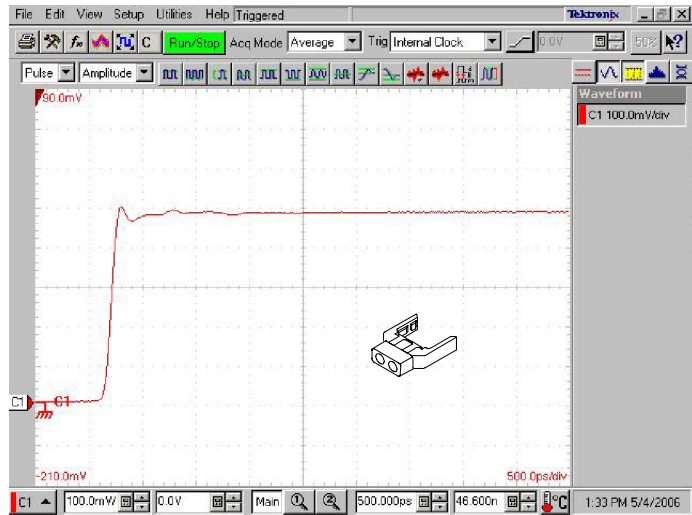


**Square Pin,
Tip-Clip Assembly**

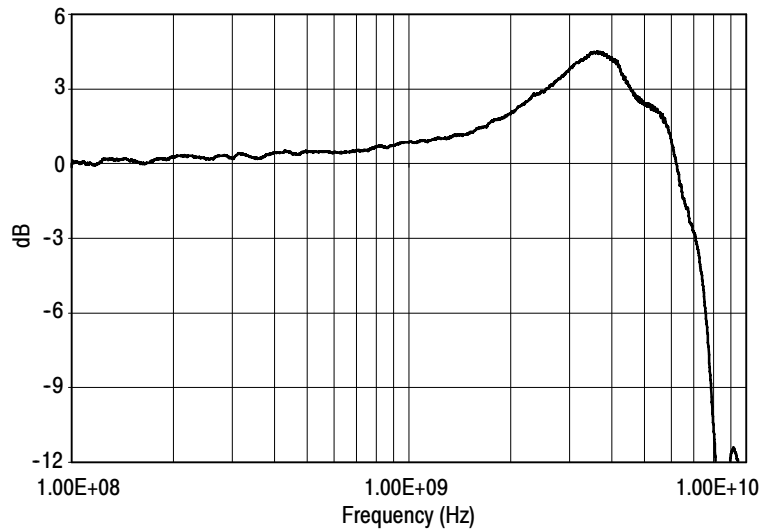
Tektronix part number: 020-2701-XX

Bandwidth: >6.0 GHz
 10/90 Rise time: <70 ps
 20/80 Rise time: <50 ps

Use the Square Pin Tip-Clip assembly for probing 0.025-in diameter square pins spaced 0.1-in on center. Square pins are not an ideal transmission path for high speed electrical signals. Square pins are not recommended for signals faster than 100 ps or 3 GHz.



Square Pin Tip-Clip assembly measuring differential 100 ps risetime signal with 0.34-in long square pins.



Square Pin Tip-Clip assembly frequency response with 0.34-in long square pins.

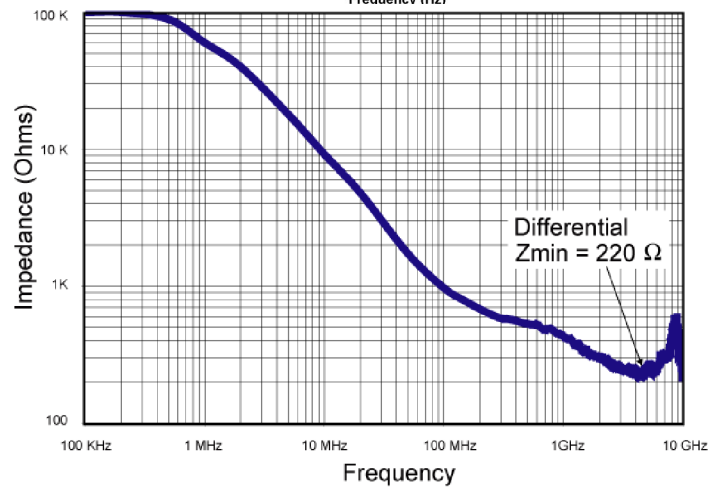
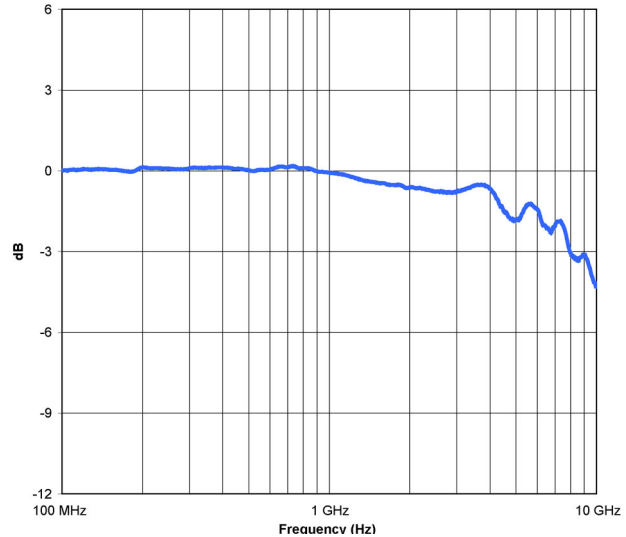
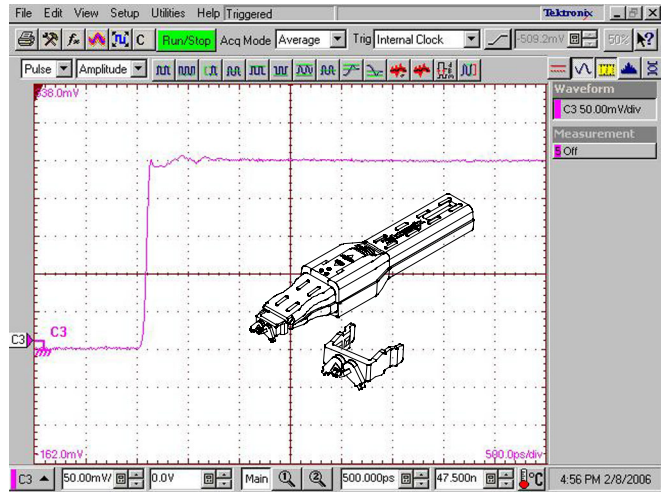
Variable Spacing Tip-Clip Assembly

Tektronix part number: 020-2596-XX

Bandwidth: >6 GHz
 T_R : 10/90 <70 ps, 20/80 <50 ps
 Loading: Z_{MIN} 220 Ω to 6 GHz

Use the Variable Spacing Tip-Clip assembly for probing test points spaced from 0.020-in to 0.180-in apart.

Exercise care when handling the articulated pins.

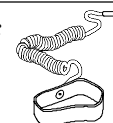


Performance Verification

The following procedures verify the warranted Output offset voltage, DC attenuation accuracy, and Rise time specifications of the P7360A and P7340A Differential Probes. The recommended calibration interval is one year.



CAUTION. To avoid ESD damage to the probe, always use an antistatic wrist strap (provided with your probe), and work at a static-approved workstation when handling the probe.



Equipment Required

Table 6 lists the equipment required for the performance verification procedure. The types and quantities of connectors depends on the specific equipment you use.

Table 6: Test equipment

Description and quantity	Performance requirement	Recommended example ¹
Sampling Oscilloscope		Tektronix TDS 8200 Series
Sampling Module	20 GHz bandwidth	Tektronix 80E04 or 80E03
Pulse Generator	<25 ps rise time	Tektronix 80E04 TDR
Sampling Head Extender Cable	1 m	012-1568-XX
TekConnect Probe Interface Module with semi-rigid cable	Firmware version 2.0	Tektronix 80A03, with 174-4857-XX cable
TekConnect-to-SMA adapter	See page 31	Tektronix TCA-SMA
DMM (2), with leads	0.1 mV and 0.01 Ω resolution	Fluke 187 or equivalent
Dual Power Supply	5.0 VDC at 200 mA	B+K Precision 1760A or equivalent
Coaxial cable	Male-to-Male BNC, 50 Ω	012-0057-XX
Test leads (1)	Banana plug ends, red	012-0031-XX
Test leads (1)	Banana plug ends, black	012-0039-XX
Test leads (2)	Mini plunger with test clip	Mueller BU-1120
Adapter	SMA 50 Ω termination (comes with the probe calibration fixture)	015-1022-XX
Adapter	BNC(M)-to-Minigrabbers	013-0342-XX
Adapter	SMA Male-to-BNC female	015-1018-XX

Table 6: Test equipment (cont.)

Description and quantity	Performance requirement	Recommended example ¹
Adapter (2)	SMA Male-to-Male	015-1011-XX
Feed through termination	BNC, 50 Ω \pm 0.05 Ω	011-0129-XX
Probe calibration fixture	See page 31	067-0419-XX
Variable Spacing, Tip-Clip Assembly		020-2596-XX ²
Long Flex, Small Resistor, 1/8 Watt Tip-Clip Assembly		020-2604-XX ²
Super glue		Loctite 444 12292
SMA torque wrench	5/16-in, 7 in-lb.	

¹ **Nine-digit part numbers (xxx-xxxx-xx) are Tektronix part numbers.**

2 Standard accessories included with the probe.

- **Optional Tool.** A torque wrench helps to ensure reliable connections by meeting the nominal torque values listed in these instructions.

Special Adapters Required

Some of the adapters listed in Table 6 are available only from Tektronix. These adapters are described on the following pages.

TekConnect-to-SMA Adapter

The TekConnect-to-SMA Adapter, Tektronix part number TCA-SMA, lets you connect an SMA cable to a TekConnect input. See Figure 15. Connect and disconnect the adapter the same way as you do the probe.

This adapter is an oscilloscope accessory that can be used for measurement applications, as well as these performance verification procedures.

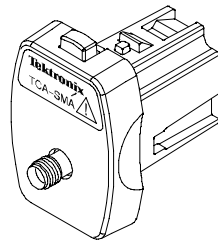


Figure 15: TekConnect-to-SMA Adapter

Probe Calibration Fixture

Some of the procedures in this manual use a probe calibration fixture, Tektronix part number 067-0419-XX.

The calibration fixture provides a means to test the probe for common mode (CM) and differential mode (DM) measurements. SMA connectors on the front and back of the fixture allow you to apply stimulus signals.

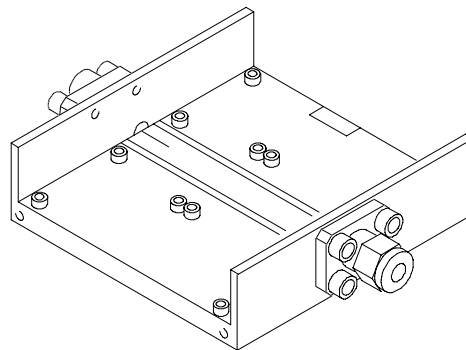


Figure 16: Probe Calibration Fixture

PPM203B Articulated Arm and Probe Arm Adapter

Some of the procedures in this manual use a PPM203B Articulated Arm. This is a general purpose benchtop probe holder that provides a method for securing the probe and must be used with the Probe Arm Adapter. Use the following steps and Figure 17 to attach the Probe Arm Adapter to the PPM203B Articulated Arm.

1. Using the Hex wrench, remove the screw from the end of the articulated arm.
2. Using the Hex wrench, attach the Adapter bottom to the probe arm.
3. Loosen the Adapter top by turning the two thumb screws counter clockwise.
4. Place the probe in the loosened Adapter bottom (keyed).
5. Secure the Adapter top by tightening the two thumb screws.

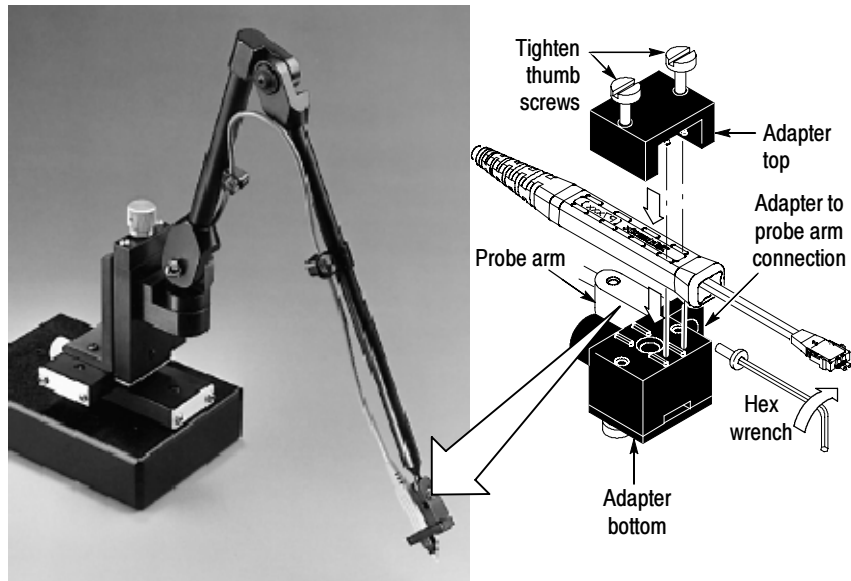
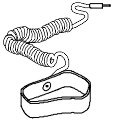


Figure 17: Adapter Fixture

Equipment Setup



CAUTION. To avoid ESD damage to the probe, always use an antistatic wrist strap (provided with your probe), and work at a static-approved workstation when handling the probe.



Perform the following verification procedures in order.

Use the following procedure to set up and warm the equipment to test the probe.

1. Connect the 80A03 TekConnect probe interface to channels 3 and 4 of the TDS 8200 oscilloscope. See Figure 18.
2. Connect the 80E0X module to the 80A03 TekConnect probe interface.
3. Connect the probe to one of the 80A03 probe interface channels.
4. Turn on the oscilloscope and allow 20 minutes for the equipment to warm up.
5. From the Utilities menu, select Utilities Compensation to compensate and save the compensation for module channels 3 and 4.
6. Photocopy the test record on page 43 to record the performance test results.

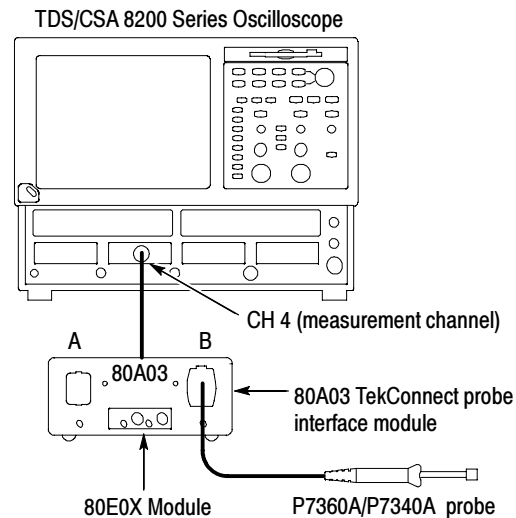


Figure 18: Preliminary test setup

Output Offset Voltage

NOTE. Before beginning these procedures, refer to page 43 and photocopy the test record (if you have not already done so) and use it to record the performance test results.

Use the following procedure to test the Output Offset voltage.

1. Connect the equipment as shown in Figure 19.
2. Plug the probe into the 80A03 module and warm up for 20 minutes, if not done.
3. Short the two Tip-Clip leads together (see Figure 19.) We recommend using the BNC(m)-to-Minigrabber (black) with the Minigrabber not grounded.

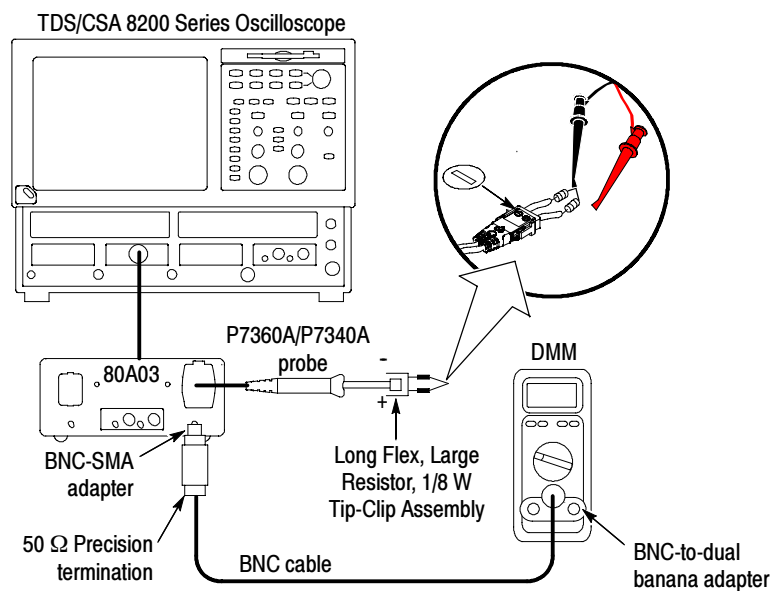


Figure 19: Setup for the output offset zero test

4. Set the multimeter to read DC volts.
5. Verify that the output voltage is $0\text{ V} \pm 3.0\text{ mV}$ for both the 5X and 25X attenuation settings.
6. Record the results on the test record.

DC Gain Accuracy

This test checks the DC gain accuracy of the probe at the 5X and 25X attenuation settings.

Gain Check at 5X Attenuation

1. Set the probe attenuation to 5X.
2. Connect the probe with a Tip-Clip Assembly to the power supply as shown in Figure 20. Monitor the source voltage with one of the DMMs.

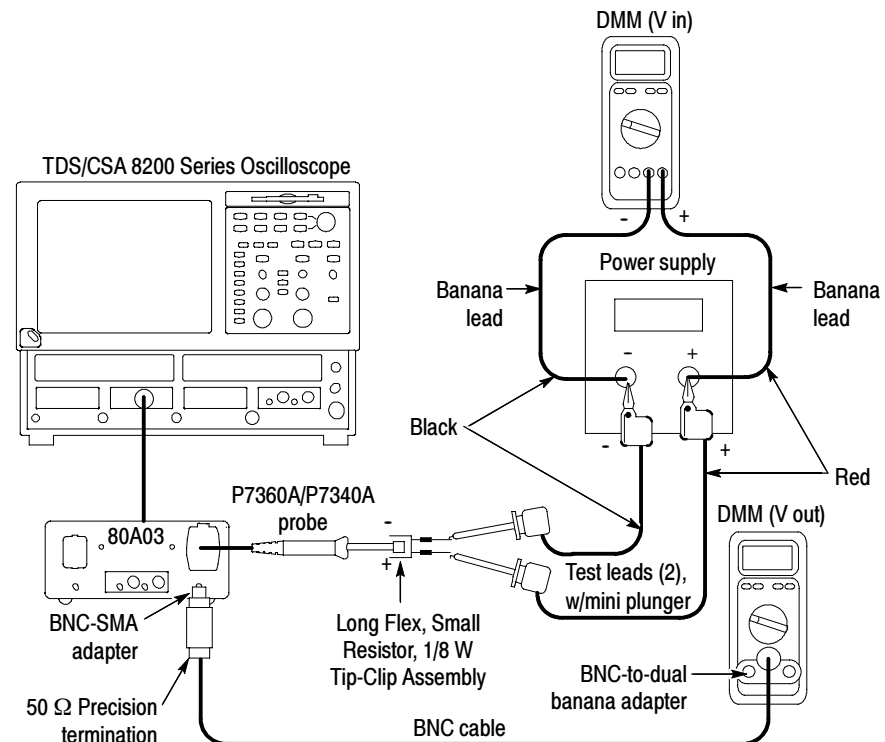


Figure 20: DC Gain Accuracy setup

3. Set the power supply to approximately +0.5 V. This represents 80% of the probe dynamic range in this attenuation setting. Record this source voltage as V_{in1} .
4. Record the output voltage (on the second DMM) as V_{out1} .
5. Disconnect the test leads from the power supplies. Leave the DMM leads connected to the adapters.
6. Reverse the polarity of the voltage applied to the probe inputs by swapping both sets of banana leads at the power supplies, as shown in Figure 21.
7. Record the actual source voltage (now a negative value), as V_{in2} .

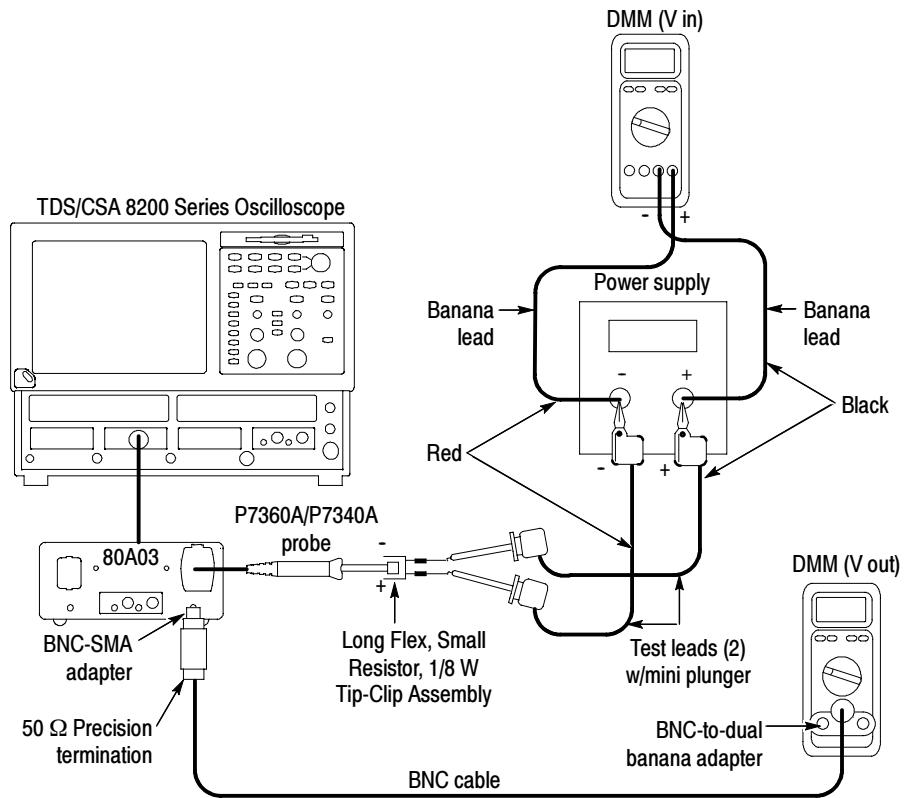


Figure 21: Reverse the power supply polarity on the probe inputs

8. Record the output voltage on the second DMM (now a negative value) as V_{out2} .
9. Calculate the gain as follows: $(V_{out1} - V_{out2}) \div (V_{in1} - V_{in2})$.
10. Verify that the gain is 0.2, $\pm 2.0\%$.
11. Record the calculated gain for the 5X setting on the test record.

Gain Check at 25X Attenuation

1. Set the attenuation on the probe to 25X.
2. Repeat steps 2 through 9, but in step 3, set the power supply to 1.5 V.
3. Verify that the gain is 0.04, $\pm 2.0\%$.
4. Record the calculated gain on the test record.

Rise Time

This procedure verifies that the probe meets the rise time specification. Two rise times are measured; the test system alone, and the test system with the probe included. The probe rise time is calculated using the two measurements.

This test uses the TDR function of the 80E04 sampling head as a fast rise time signal source. The measurements are made using an 80A03 TekConnect probe interface. Although the following procedure assigns the TDR and measurement functions to specific oscilloscope channels, any valid channel combination can be used. However, the TDR function is only available on 80E04 sampling heads.

This test checks both of the probe attenuation settings.

Review *Rise Time Measurements Using the Probe Calibration Fixture* on page 38 if you have not used a calibration fixture before.

Rise Time Measurement using the Probe Calibration Fixture

1. Connect the fixture to the pulse generator using an SMA adapter.
2. Connect the 50 Ω termination included with the fixture to the unused SMA connector.
3. Probe the calibration fixture using the Handheld Adapter (see Figure 23).

NOTE. It is recommended that you use the PPM203B Articulated Arm with the Probe Arm Adapter (see page 32) to stabilize the probe while verifying the differential rise time specification.

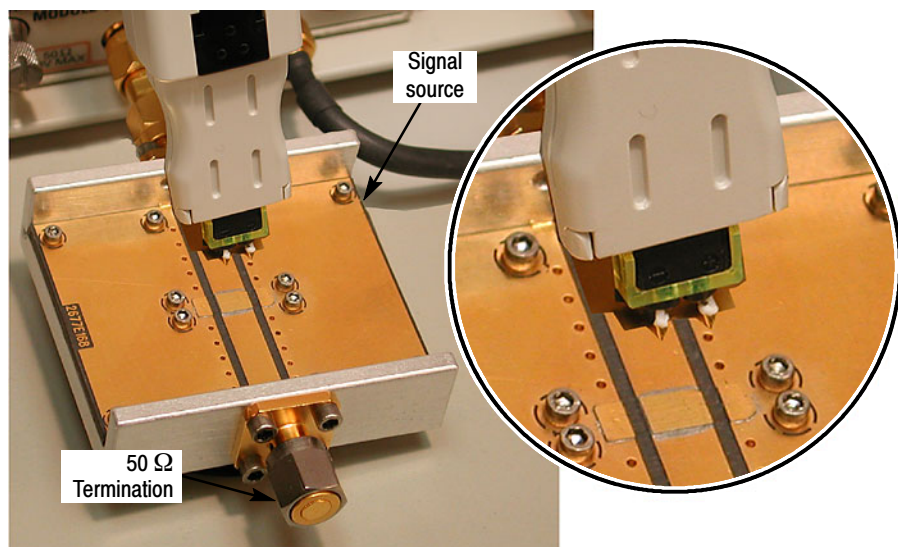


Figure 22: Handheld Adapter and calibration fixture

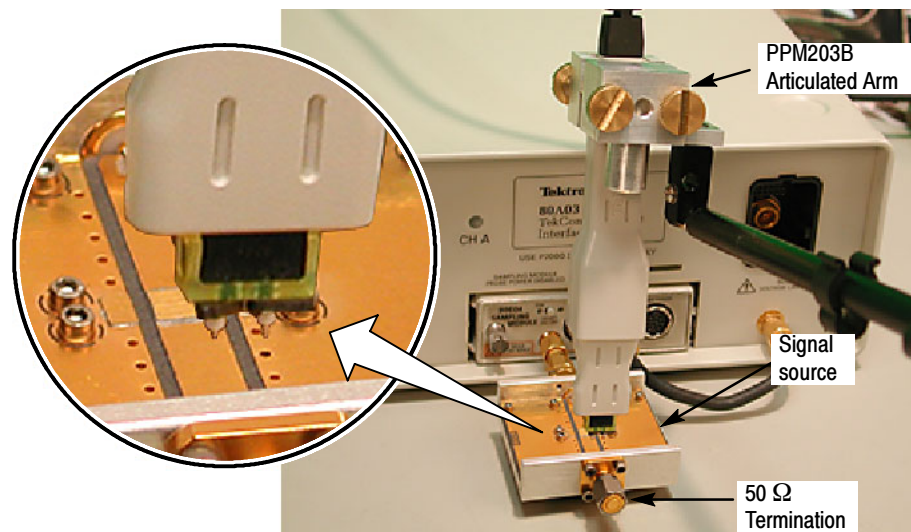


Figure 23: PPM203B Articulated Arm with the Handheld Adapter

Rise Time Check at 25X Attenuation

1. Connect the standard 80A03 semi-rigid SMA connector between the 80A03 probe output and the 80E0X module input. Insert a TCA-SMA adapter into the TekConnect interface on the 80A03.
2. Connect the test equipment as shown in Figure 24. A sampling module extender cable is used with the TDR pulse generator to minimize cable loss problems.



CAUTION. To prevent mechanical strain on the connectors, use care when working with SMA connectors: Support equipment and use a torque wrench to tighten connections to 7 in-lbs.

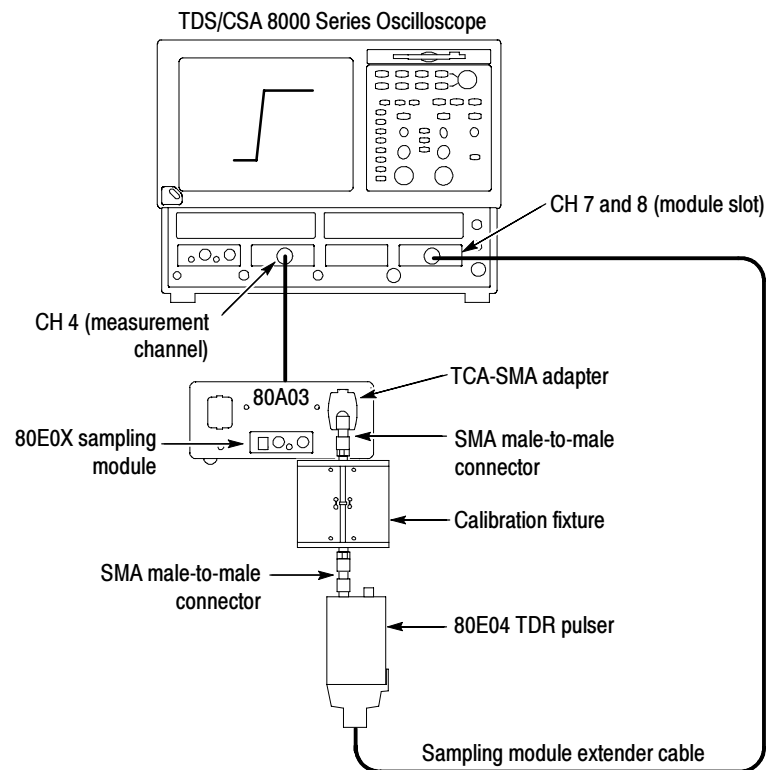


Figure 24: Test system rise time setup

NOTE. The 80A03 firmware version must be version V 2.0 or above. The firmware version label is on the rear panel of the instrument.

3. Turn on Channel 4, and set the vertical scale to 50 mV/div.

- Set the Channel 8 sampling head to TDR mode:
Press the **SETUP DIALOGS** button and select the **TDR** tab. See Figure 25.

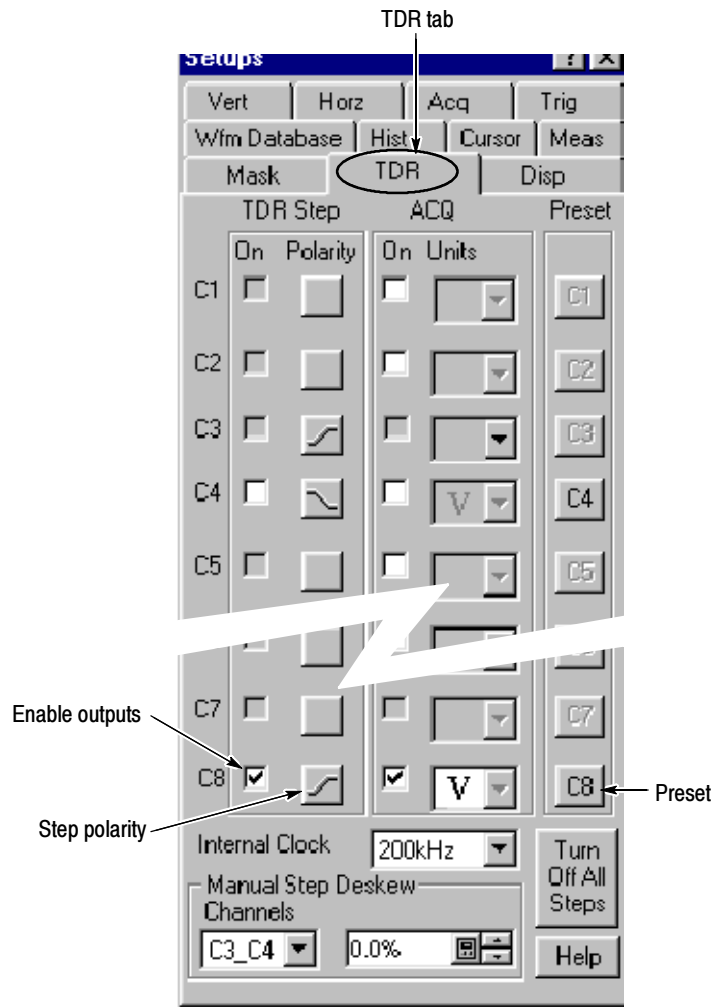


Figure 25: Setting the TDR parameters

- Set the **Preset** of Channel 8. The sampling module turns on a red light next to the **SELECT** channel button, indicating that TDR is activated for that channel.

TDR Preset sets Internal Clock in the Trigger menu, turns on the TDR Step in the TDR Setups menu, turns on the channel and selects the acquisition units in the TDR Setups menu, and sets the horizontal scale, position, and reference.

6. Turn off the display for Channels 8, then only Channel 4 is shown on the screen.
7. Adjust the oscilloscope horizontal and vertical position controls to display a signal similar to that shown in Figure 24.
8. Set the oscilloscope horizontal scale to 100 ps/div and center the waveform.
9. Use the oscilloscope measurement capability to display rise time. Increase the stability of the pulse-edge measurement by using averaging, if available. Rise time is measured from the 10% and 90% amplitude points on the waveform. Rise time can be measured using the automatic measurement capability of the TDS8200 series oscilloscopes. Record the system rise time as t_s . This value is used to calculate both the 5X and 25X probe rise times.

The following steps instruct you to assemble the test setup that includes the probe, as shown in Figure 26. The system and probe rise time (t_{s+p}) that you measure in step 17 is used to calculate the probe rise time (t_p) in step 18.

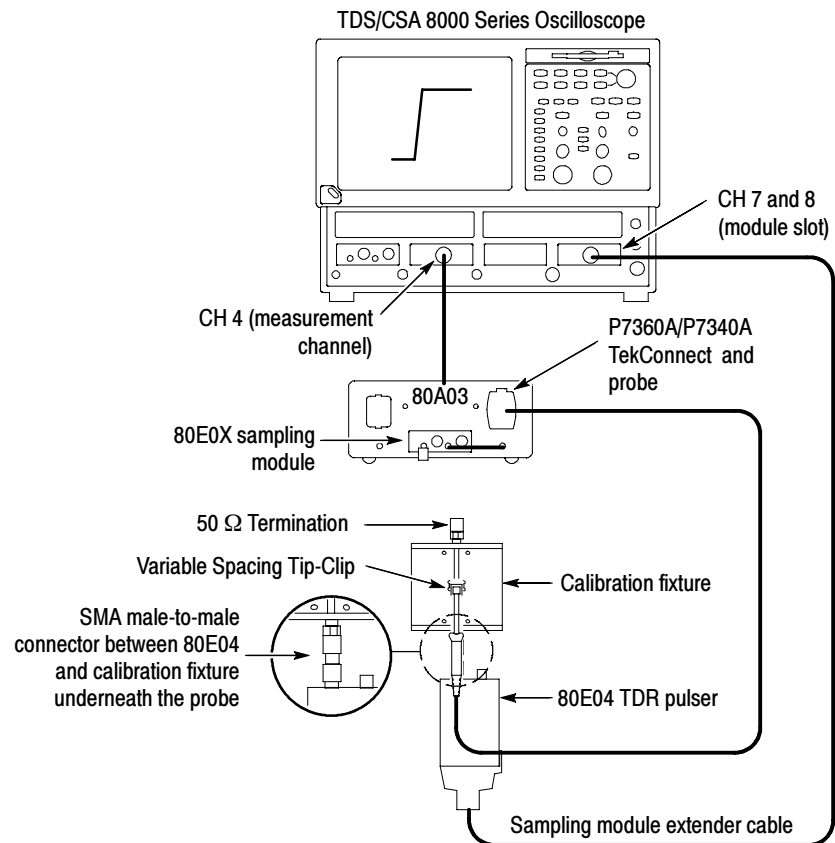


Figure 26: Test probe rise time setup

10. Remove the calibration fixture from the TCA-SMA adapter and disconnect the TCA-SMA adapter from the 80A03 TekConnect probe interface.
11. Connect the probe to the 80A03 TekConnect probe interface.
12. Check that an SMA 50 Ω termination included with the probe calibration fixture is connected to the open SMA output on the fixture.
13. Set the attenuation on the probe to 25X.
14. Connect the probe input to the probe calibration fixture as shown in Figure 23 on page 38. Check that the TDR function is still active.

The test setup should now be connected as shown in Figure 26.

15. Adjust the vertical scale to 50 mV/div, averaging on.
16. Expand the horizontal scale to help locate the step edge, then adjust the horizontal range to 100 ps/div while centering the edge view. For a more stable measurement display, turn averaging on.
17. Use the oscilloscope measurement capability to display rise time. Rise time is measured from the 10% and 90% amplitude points on the waveform. Record the rise time as t_{s+p} .
18. Calculate the probe rise time using the following formula:

$$t_p = \sqrt{t_{(s+p)}^2 - t_s^2}$$

19. Record the calculated probe rise time on the test record.

**Rise Time Check at 5X
Attenuation**

20. Set the attenuation on the probe to 5X.
21. Repeat steps 16 through 19 for the 5X attenuation setting.

Test Record

Probe Model/Serial Number: _____ Certificate Number: _____
 Temperature: _____ RH %: _____
 Date of Calibration: _____ Technician: _____

Performance test		Minimum	Results	Maximum
Output offset voltage	25X ± 3 mV (20 °C to 30 °C)	- 3 mV		+ 3 mV
	5X ± 3 mV (20 °C to 30 °C)	- 3 mV		+ 3 mV
DC attenuation accuracy	25X	0.0392		0.0408
	5X	0.196		0.204
Rise time (P7360A)	25X	N/A		70 ps
	5X	N/A		70 ps
(P7340A)	25X	N/A		100 ps
	5X	N/A		100 ps

User Service

This section covers troubleshooting and probe maintenance.

Probe/Adapter/Oscilloscope Compatibility

The differential probes are designed to work with all TekConnect-interface oscilloscopes and adapters. However, there may be some cases where probe features may not work properly.

Table 7: Differential probe compatibility issues

Symptom	Likely cause
Differential probe does not work with an 80A03 TekConnect Probe Interface Adapter	The 80A03 Adapter requires firmware version 2.0 and above. The firmware version label is on the rear panel of the instrument. Contact Tektronix for information on updating the adapter firmware.
The LED on the 80A03 Adapter glows red, indicating an incompatible probe.	

Error Condition

The LEDs on the probe alert you to error or status conditions affecting the probe. If the probe LEDs flash or otherwise appear to be malfunctioning, an error condition may exist. Call your Tektronix representative for service.

When the probe is functioning correctly there is a quick flash of the LEDs on the probe just after connecting to the oscilloscope.

Replacement Parts

There are no user replaceable parts within the probe. Refer to your product user manual for a list of replaceable accessories for your probe.

If your probe does not meet the specifications tested in the Performance Verification, you can send the probe to Tektronix for repair. Follow the procedure on page 46 to prevent damage to the probe during shipping.

Preparation for Shipment

If the original packaging is unfit for use or not available, use the following packaging guidelines:

1. Use a corrugated cardboard shipping carton having inside dimensions at least one inch greater than the probe dimensions. The box should have a carton test strength of at least 200 pounds.
2. Put the probe into an antistatic bag or wrap to protect it from dampness.
3. Place the probe into the box and stabilize it with light packing material.
4. Seal the carton with shipping tape.
5. Refer to *Contacting Tektronix* at the front of the *P7313, P7380, and P7360 5X/25X Differential Probes User Manual* for the shipping address.